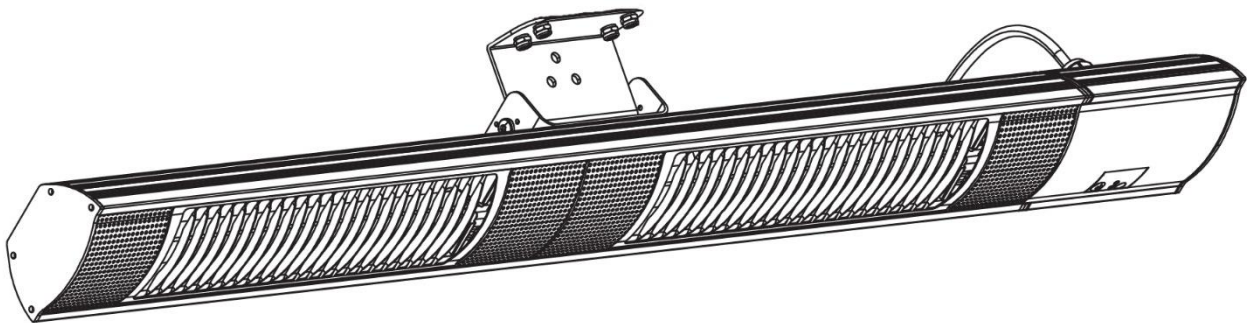


Radiant Heater WDH-300WS



Dear Customer,

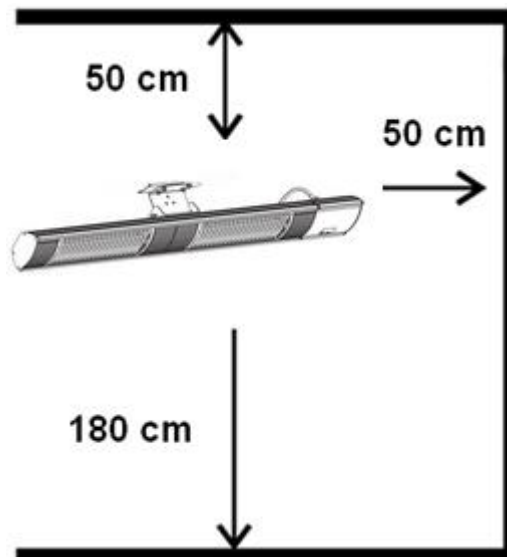
You have chosen a high-quality product. To ensure that you get a lot of enjoyment from this product, here are a few more tips:

In case of any problems:

We hope that the unit meets your expectations! If, despite the greatest possible care, there should ever be cause for complaint, please contact us briefly, as we are very concerned about your satisfaction and would like to clear up any misunderstanding.

Important safety instructions:

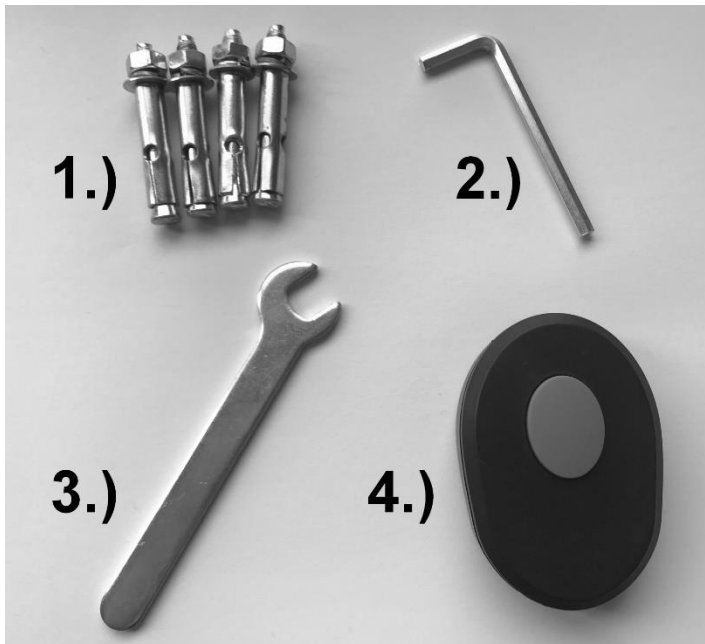
- Please note that the radiant heater can become very hot during operation, so keep a sufficient distance at all times. Especially away from flammable or easily combustible objects!
- Do not place/mount the radiant heater directly next to a power socket !
- It is recommended to use a separate power source (socket) to supply the radiant heater. (Please do not use multiple sockets for operating the radiant heater).
Furthermore, please ensure that the power cable is always laid with sufficient distance to the heat source.
- Supervise the radiant heater when children are near the appliance !
- Watch out for electricity, never walk into or insert objects into the appliance !
- Do not place any objects on or directly in front of the radiant heater !
- Please ensure sufficient space/clearance around the unit !
- Only qualified personnel or electricians are allowed to open the unit !
- Make sure that no moisture gets into the unit !
- The radiant heater must not be used in the direct vicinity of bathtubs, washbasins or swimming pools !
- Only use the recommended voltage for operating the unit !
- Make sure that the power cable is unfolded (untied) before connecting it to the socket !
- Make sure that the plug is cleanly and properly connected to the socket before using the appliance !
- Never reach near the plug or socket with wet hands !
- Do not repair defective or damaged cables on the unit yourself, you could get a severe electric shock !
- Make sure that highly flammable substances (e.g. gases/oils etc.) are never in the vicinity of the unit !
- Ensure that the area on and around the unit remains free of dust, cobwebs and similar dirt at all times to prevent accidental ignition (fire) !
- If the connecting cable of this appliance is damaged, it must be replaced by the manufacturer or its after-sales service or a similarly qualified person in order to avoid hazards.
- This appliance is not intended to be used by persons (including children) with reduced physical, sensory or mental capabilities, or lack of experience and/or knowledge, unless they have been given supervision or instruction concerning use of the appliance by a person responsible for their safety.
- If you are not going to use the unit for a long time, switch it off and disconnect the mains plug !
- Please always keep a sufficient distance to walls, ceilings, floors and objects. Depending on the material, we recommend a minimum distance of at least 100 cm to the front and at least 50 cm to the side or upwards! The installation height should be at least 180 cm.



Please switch off the unit immediately and disconnect it from the power supply if anything seems to be wrong! In this case, please contact a specialist and do not try to repair the unit yourself!

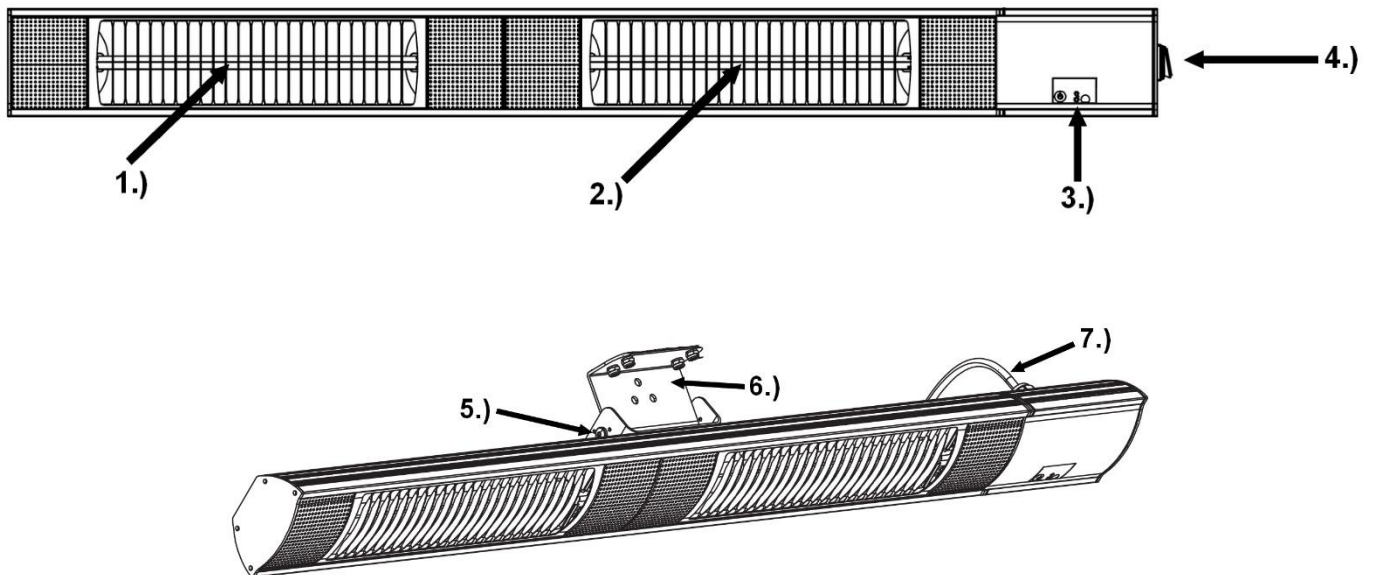
Example: House fuse has blown out during operation of the radiant heater.

Scope of delivery of the mounting set:



- 1.) 4 x metal frame dowels
- 2.) Hexagon spanner
- 3.) Open-End spanner
- 4.) Remote control

Description of the unit parts:

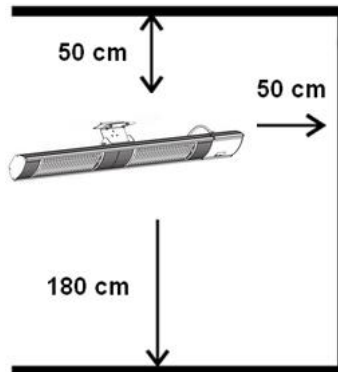


- 1.) First heating tube (1,500 W)
- 2.) Second heating tube (1,500 W)
- 3.) Unit switch & operating light
- 4.) Main switch
- 5.) Locking screws
- 6.) Wall bracket
- 7.) Mains cable

Assembly instructions:

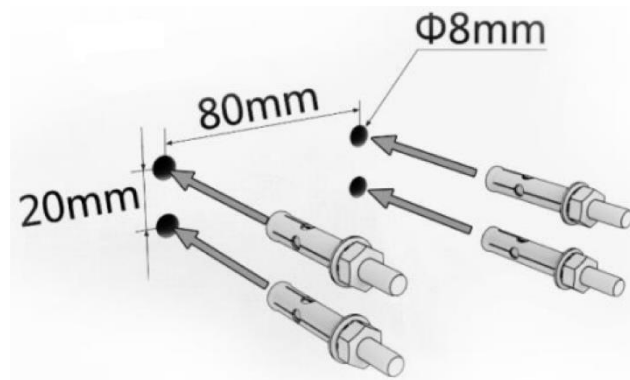
1. Mounting on the wall

- 1.1. Select the appropriate location for mounting the wall bracket. Observe the safety instructions and also the following minimum distances:

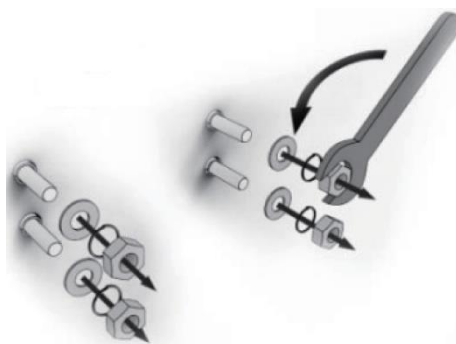


- 1.2. Now take the radiant heater together with the wall bracket and mark the four (4) drill holes (one drill hole for each corner) on the wall. Make sure that the wall bracket sits straight!

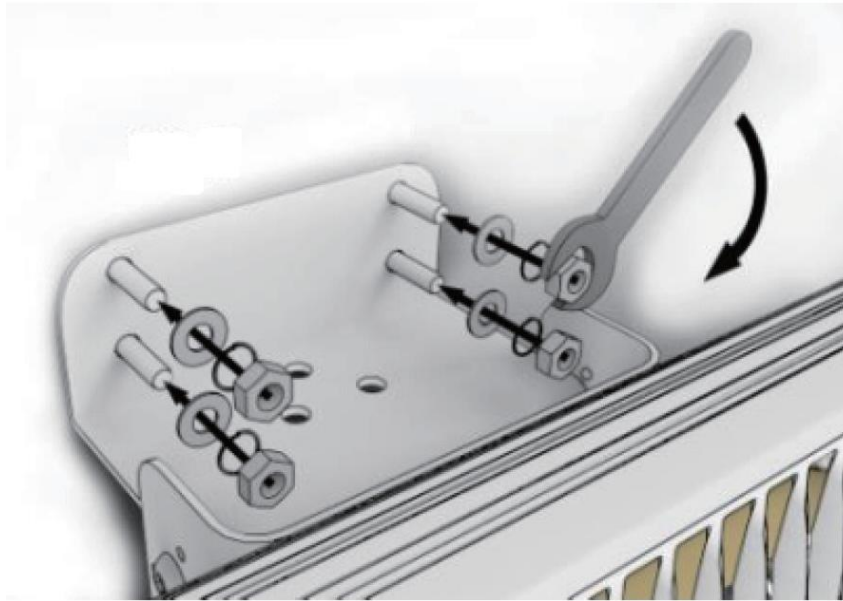
- 1.3. Now drill four (4) holes of at least 8 mm into the wall.



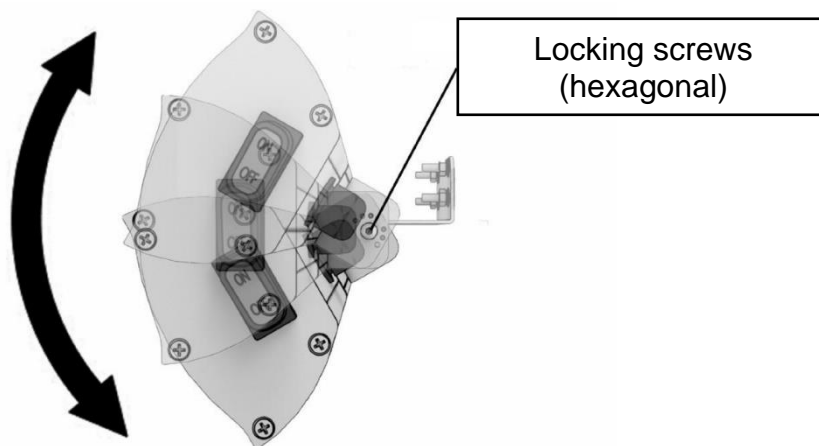
- 1.4. Take the dowels supplied and fix them in the drilled holes. Then loosen the nuts, washers and spring washers from the dowels.



- 1.5. Now you can put the wall bracket on the four dowels. Then put the washers and spring washers on the dowels again and fix everything with the hexagon nuts of the dowels. You can use the open-ended spanner supplied for this purpose.



- 1.6. Finally, if necessary, you have the option of adjusting the angle of the heating head to your individual needs by loosening the two locking screws.



- 1.7. Always make sure that the heating head is securely and stably fastened at all times before putting the unit into operation !

Instructions for use:

2. Commissioning

- 2.1. Insert the mains plug properly into the socket.
- 2.2. Switch the unit on by pressing the main switch. The unit then signals that it is ready for operation by the red operating light lighting up.
- 2.3. The unit switch is located next to the red operating light. You can use this to switch the operation in the following sequence (circuit):
 - Level 1 (1,500 Watt heating power)
 - Level 2 (3,000 Watt heating power)
 - From

The supplied remote control also functions according to the one-button switching in the order listed above !
The remote control requires two AAA (micro) batteries (not included) !

3. Cleaning & Storage

Always unplug the heater from the mains and allow it to cool down completely before cleaning it!

3.1 Cleaning the housing:

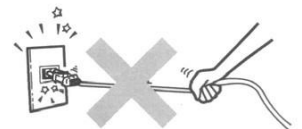
- Use a soft and damp cloth to clean the outside of the housing.
- Only use mild cleaning agents to clean your radiant heater.
- Also, make sure that no aggressive cleaning agents are used, they can damage your appliance !
- Please make sure that no water gets inside your radiant heater at any time !

3.2 Storage:

- We recommend that you repack the unit in its original box for storage.
- Store the radiant heater in a dry and sufficiently ventilated place/space.

Other important operating instructions

- a) Do not disconnect the mains plug by pulling on the power cable !
- b) Do not use insect repellent, oil spray, paint spray, etc. near the heater. This may cause damage to the unit or even fire !
- c) Make sure that the mains cable never runs in front of the radiant heater or that the mains cable is not wrapped around the heating element.
- d) Do not operate the radiant heater with a timer or similar control. This may result in damage to the appliance or even fire.
- e) Although the radiant heater is protected against splashing water (IP54), to be on the safe side, do not use it intentionally in rain showers and/or other very wet conditions !
- f) Always keep the reflector behind the heating tube clean or dust-free. Otherwise, this can lead to a loss of power of the radiant heater!
- g) When starting the heating operation, dark spots may appear on the heating tube for a short time. This is normal and does not represent a malfunction or impairment of the heating performance.



Technical data

Model name:	WDH-300WS
Voltage:	220V - 240V / 50-60Hz
Max. Power consumption:	2.600 - 3.000 W
Dimensions of the heating head (H/W/D):	120 x 1020 x 120 mm
Waterproofness:	IP54
Weight:	2,4 kg

There may be deviations in the technical data!

Other

Warranty statement:

Notwithstanding the statutory warranty claims, the manufacturer grants a warranty in accordance with the laws of your country, but at least 1 year (in Germany 2 years for private individuals). The warranty begins on the date of sale of the appliance to the end user.

The guarantee only covers defects that are due to material or manufacturing faults.

Warranty repairs may only be carried out by an authorised customer service. To make a warranty claim, please enclose the original sales receipt (with date of sale).

Excluded from the guarantee are:

- Normal wear
- Improper applications, such as overloading the appliance or non-approved accessories.
- Damage due to external influences, use of force or foreign objects
- Damage caused by non-observance of the operating instructions, e.g. connection to an incorrect mains voltage or non-observance of the assembly instructions.
- Completely or partially dismantled units

Conformity:

The radiant heater has been tested and itself and/or parts thereof have been manufactured under the following (safety) standards:

Tested by Dekra "GS" and of course with CE (LVD + EMC) conformity.

Tested safety according to: EN 60335-1:2012+A11:2014+A13:2017
EN 60335-2-30:2009+A11:2012
EN 62233:2008
AfPS GS 2019:01 PAK

CE (LVD) Conformity tested according to: EN 60335-1:2012+A11:2014+A13:2017
EN 60335-2-30:2009+A11:2012
EN 62233:2008

CE (EMC) conformity tested according to: EN 55014-1:2006+A1:2009+A2:2011
EN 55014-2:1997+A1:2001+A2:2008
EN 61000-3-2:2014
EN 61000-3-3:2013

Correct disposal of this product:



Within the EU, this symbol indicates that this product should not be disposed of with household waste. Waste equipment contains valuable recyclable materials that should be recycled. Furthermore, the environment or human health should not be polluted by uncontrolled waste disposal. Therefore, please dispose of old appliances via suitable collection systems or send the appliance for disposal to the place where you purchased it. They will then recycle the appliance.

I wish you much pleasure with this appliance.

Your Aktobis AG

Keep these instructions for use in a safe place !

Notes:
